

INFRARED SPECIFICATION DATA

Simultaneous Interpretation • Audio Description • Media Rooms • Conferences • Boardrooms  
• Courtrooms • Schools • Universities • Cinemas • Churches

# WIR RX18

SoundPlus® Infrared Receiver



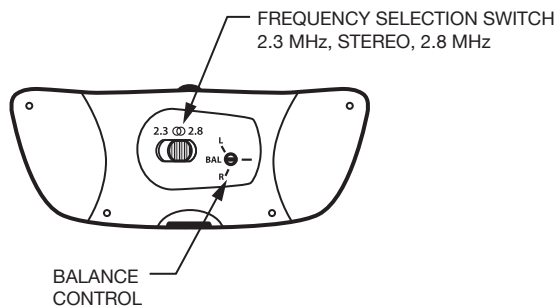
The WIR RX18 is an under-the-chin style infrared receiver suitable for mild to moderate hearing loss. It features high-quality, low-distortion sound and silicon ear couplings for maximum comfort and performance. The On/Off switch is built into the “arms” of the receiver, so it can never be left on to drain the batteries. Each RX18 receiver includes a BAT AP11A NiMH rechargeable battery. Use the RX18 receiver with any 2.3/stereo/2.8 MHz infrared listening system.

# SoundPlus® Infrared Receiver

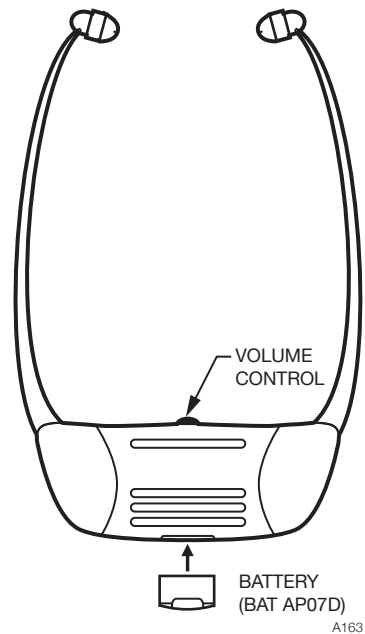
## WIR RX18 Receiver

<b>Weight:</b>	2.0 oz (56 g) with battery
<b>Material and Color:</b>	ABS plastic, Black and Grey
<b>Battery Type, Life:</b>	BAT AP11A NiMH Battery Pack, 7 hours
<b>Operating Range:</b>	Up to 3,063 sq ft (285 sq m) when used with the TX9 emitter or TX90 transmitter in single-channel mode Up to 1,000 sq ft (93 sq m) when used with the TX75 in single-channel mode
<b>Modulation Frequency:</b>	2.3 MHz or 2.8 MHz or stereo
<b>Frequency Response:</b>	200 Hz to 8 kHz, ± 5 dB
<b>Signal to Noise Ratio:</b>	60 dB at 10 m
<b>Controls:</b>	Volume control thumbwheel 3-position selection switch (2.3 MHz, 2.8 MHz, stereo)
<b>Acoustic Output:</b>	120 dB MAX SSPL90 with 2 cc coupler
<b>Compatibility:</b>	Compatible with 2.3 MHz and 2.8 MHz IR transmitters, WIR TX900 and WIR TX925 systems
<b>Battery Charger:</b>	CHG 518
<b>Power Switch:</b>	Built into receiver "arms"
<b>Ear pads:</b>	Uses EAR 240 silicon eartips
<b>Approvals:</b>	CE, RoHS

**WIR RX18 Back View**



**WIR RX18 Front View**



# SoundPlus® Infrared Receiver

---

## **Bid Specs:**

### **Receiver, Model WIR RX18**

The receiver shall be an under-chin stetho style with an IR detector lens in the face of the unit. The receiver shall have a rotary type volume control and the power switch shall be built into the arms of the unit so it will automatically shut off when not in use. The receiver shall operate for seven hours per charge with the BAT AP11A NiMH battery pack. The receiver shall be housed in a black and grey plastic case. The receiver shall have a three position selector

switch for 2.3 MHz, stereo or 2.8 MHz modulated IR signals. The receiver shall provide 120 dB SSPL90 output. The system electrical frequency response shall be 200 Hz to 8 kHz and the S/N ratio shall be 60 dB at 10 m. The receiver shall have CE, RoHS and WEEE approval and be covered by a five-year parts and labor warranty (90 days on battery pack).

The receiver shall be the Williams Sound model WIR RX18.

### **Domestic Sales**

Williams Sound  
10300 Valley View Rd.  
Eden Prairie, MN 55344  
Ph: 800-328-6190 / 952-943-2252  
FAX: 952-943-2174  
Email: [info@williamssound.com](mailto:info@williamssound.com)  
Web: [www.williamssound.com](http://www.williamssound.com)

### **International Sales**

International Sales Department  
Williams Sound  
10300 Valley View Rd.  
Eden Prairie, MN 55344 USA  
Phone: +1 952 943 2252  
Fax: +1 952 943 2174  
Email: [info-intl@williamssound.com](mailto:info-intl@williamssound.com)  
Web: [www.williamssound.com](http://www.williamssound.com)



800.843.3544 / [info@williamssound.com](mailto:info@williamssound.com) / [www.williamssound.com](http://www.williamssound.com)